

# Flake and Nugget Model Ice Machines

## Installation, Operation and Maintenance Manual



**Original Document**

 **Caution**

Read this instruction before operating this equipment



# Safety Notices

## Safety Notices

### Read these precautions to prevent personal injury:

- Read this manual thoroughly before operating, installing or performing maintenance on the equipment. Failure to follow instructions in this manual can cause property damage, injury or death.
- Routine adjustments and maintenance procedures outlined in this manual are not covered by the warranty.
- Proper installation, care and maintenance are essential for maximum performance and trouble-free operation of your equipment.  
Visit our website [www.manitowocice.com](http://www.manitowocice.com) for manual updates, translations, or contact information for service agents in your area.
- This equipment contains high voltage electricity and refrigerant charge. Installation and repairs are to be performed by properly trained technicians aware of the dangers of dealing with high voltage electricity and refrigerant under pressure. The technician must also be certified in proper refrigerant handling and servicing procedures. All lockout and tag out procedures must be followed when working on this equipment.
- This equipment is intended for indoor use only. Do not install or operate this equipment in outdoor areas.

## DEFINITIONS

### DANGER

Indicates a hazardous situation that, if not avoided, will result in death or serious injury. This applies to the most extreme situations.

### Warning

Indicates a hazardous situation that, if not avoided, could result in death or serious injury.

### Caution

Indicates a hazardous situation that, if not avoided, could result in minor or moderate injury.

### Notice

Indicates information considered important, but not hazard-related (e.g. messages relating to property damage).

NOTE: Indicates useful, extra information about the procedure you are performing.

### Warning

#### Follow these precautions to prevent personal injury during installation of this equipment:

- Installation must comply with all applicable equipment fire and health codes with the authority having jurisdiction.
- To avoid instability the installation area must be capable of supporting the combined weight of the equipment and product. Additionally the equipment must be level side to side and front to back.
- Remove all removable panels before lifting and installing and use appropriate safety equipment during installation and servicing. Two or more people are required to lift or move this appliance to prevent tipping and/or injury.
- Do not damage the refrigeration circuit when installing, maintaining or servicing the unit.
- Connect to a potable water supply only.
- This equipment contains refrigerant charge. Installation of the line sets must be performed by a properly trained and EPA certified refrigeration technician aware of the dangers of dealing with refrigerant charged equipment.
- Legs or casters must be installed and the legs/casters must be screwed in completely. When casters are installed the mass of this unit will allow it to move uncontrolled on an inclined surface. These units must be tethered/secured to comply with all applicable codes. Swivel casters must be mounted on the front and rigid casters must be mounted on the rear. Lock the front casters after installation is complete.
- Some 50 Hz models may contain up to 150 grams of R290 (propane) refrigerant. R290 (propane) is flammable in concentrations of air between approximately 2.1% and 9.5% by volume (LEL lower explosion limit and UEL upper explosion limit). An ignition source at a temperature higher than 470°C is needed for a combustion to occur. Refer to nameplate to identify the type of refrigerant in your equipment. Only trained and qualified personnel aware of the dangers are allowed to work on the equipment.

**⚠ Warning**

**Follow these electrical requirements during installation of this equipment.**

- All field wiring must conform to all applicable codes of the authority having jurisdiction. It is the responsibility of the end user to provide the disconnect means to satisfy local codes. Refer to rating plate for proper voltage.
- This appliance must be grounded.
- This equipment must be positioned so that the plug is accessible unless other means for disconnection from the power supply (e.g., circuit breaker or disconnect switch) is provided.
- Check all wiring connections, including factory terminals, before operation. Connections can become loose during shipment and installation.

**⚠ Warning**

**Follow these precautions to prevent personal injury while operating or maintaining this equipment:**

- Read this manual thoroughly before operating, installing or performing maintenance on the equipment. Failure to follow instructions in this manual can cause property damage, injury or death.
- Crush/Pinch Hazard. Keep hands clear of moving components. Components can move without warning unless power is disconnected and all potential energy is removed.
- Moisture collecting on the floor will create a slippery surface. Clean up any water on the floor immediately to prevent a slip hazard.
- Objects placed or dropped in the bin can affect human health and safety. Locate and remove any objects immediately.
- Never use sharp objects or tools to remove ice or frost. Do not use mechanical devices or other means to accelerate the defrosting process.
- When using cleaning fluids or chemicals, rubber gloves and eye protection (and/or face shield) must be worn.

**⚠ DANGER**

Do not operate equipment that has been misused, abused, neglected, damaged, or altered/modified from that of original manufactured specifications. This appliance is not intended for use by persons (including children) with reduced physical, sensory or mental capabilities, or lack of experience and knowledge, unless they have been given supervision concerning use of the appliance by a person responsible for their safety. Do not allow children to play with, clean or maintain this appliance without proper supervision.

**⚠ DANGER**

**Follow these precautions to prevent personal injury during use and maintenance of this equipment:**

- It is the responsibility of the equipment owner to perform a Personal Protective Equipment Hazard Assessment to ensure adequate protection during maintenance procedures.
- Do Not Store Or Use Gasoline Or Other Flammable Vapors Or Liquids In The Vicinity Of This Or Any Other Appliance. Never use flammable oil soaked cloths or combustible cleaning solutions for cleaning.
- All covers and access panels must be in place and properly secured when operating this equipment.
- Risk of fire/shock. All minimum clearances must be maintained. Do not obstruct vents or openings.
- Failure to disconnect power at the main power supply disconnect could result in serious injury or death. The power switch DOES NOT disconnect all incoming power.
- All utility connections and fixtures must be maintained in accordance with the authority having jurisdiction.
- Turn off and lockout all utilities (gas, electric, water) according to approved practices during maintenance or servicing.
- Units with two power cords must be plugged into individual branch circuits. During movement, cleaning or repair it is necessary to unplug both power cords.
- Never use a high-pressure water jet for cleaning on the interior or exterior of this unit. Do not use power cleaning equipment, steel wool, scrapers or wire brushes on stainless steel or painted surfaces.
- Two or more people are required to move this equipment to prevent tipping.
- Locking the front casters after moving is the owner's and operator's responsibility. When casters are installed, the mass of this unit will allow it to move uncontrolled on an inclined surface. These units must be tethered/secured to comply with all applicable codes.
- The on-site supervisor is responsible for ensuring that operators are made aware of the inherent dangers of operating this equipment.
- Do not operate any appliance with a damaged cord or plug. All repairs must be performed by a qualified service company.

**⚠ Warning**

This product is hermetically sealed and contains fluorinated greenhouse gas R404A.

# Table of Contents

---

## Safety Notices

<b>Safety Notices</b> .....	<b>3</b>
Definitions .....	3

## Section 1

### General Information

<b>Model Numbers</b> .....	<b>7</b>
Flake UnderCounter Models .....	7
Flake Modular Models .....	7
Nugget UnderCounter Models .....	7
Nugget Modular Models .....	7
<b>Adapters</b> .....	<b>8</b>
RFF2500 Bin Adapter Installation .....	8
<b>Warranty Information</b> .....	<b>8</b>
<b>Arctic Pure Water Filter System</b> .....	<b>8</b>
<b>Manitowoc Cleaner and Sanitizer</b> .....	<b>8</b>

## Section 2

### Installation Instructions

<b>Location of Ice Machine</b> .....	<b>9</b>
Clearance Requirements .....	9
<b>Installation Requirements</b> .....	<b>9</b>
<b>Ice Machine Heat of Rejection</b> .....	<b>9</b>
<b>Water and Drain Requirements</b> .....	<b>10</b>
Potable Water Requirements .....	10
Drain Connections .....	10
Cooling Tower Applications .....	10
Ice Machine Water Usage .....	10
Water Supply and Drain Line Sizing/Connections .....	11
<b>Electrical Service</b> .....	<b>12</b>
Voltage .....	12
Fuse/Circuit Breaker .....	12
Ground Fault Circuit Interrupter .....	12
Minimum Power Cord Specifications .....	12
For United Kingdom Only .....	12
<b>Maximum Breaker Size &amp; Minimum Circuit Amperage Chart</b> .....	<b>13</b>
QuietQube Remote Condensing Unit .....	13
<b>Refrigeration System Installation</b>	
<b>Remote Condensing Unit Only</b> .....	<b>14</b>
Usage with Non-Manitowoc Condensing Units .....	14
<b>Refrigeration Line Set Installation</b>	
<b>Remote Condensing Unit Only</b> .....	<b>15</b>
General .....	15
A. Line Set Length .....	15
B. Line Set Rise or Drop .....	15
C. Suction Line Oil Traps .....	16
<b>Installation Check List</b> .....	<b>18</b>
<b>Additional Checks for QuietQube Models</b> .....	<b>18</b>

**Section 3  
Operation**

**Bin Thermostat and Evaporator Low Temperature Safety Adjustment Chart ..... 19**  
**Thermostat Adjustment for Altitude..... 19**  
    Altitude Adjustment Chart ..... 19  
**UFF0200/UNF0200/UFF0350/UNF0300 Operation ..... 20**  
**RFF0320 & RNF0320 Operation..... 20**  
**RNF0620/RFF0620/RNF1020C/RNF1100/RFF1200C/RFF1300/RNF200C/RFF2200C/RFF2500  
Operation..... 20**

**Section 4  
Maintenance**

**Interior Cleaning and Sanitizing ..... 21**  
    Cleaning/Sanitizing Procedure ..... 21  
    Heavily Scaled Cleaning Procedure ..... 21  
**Exterior Cleaning ..... 21**  
**Cleaning/Sanitizing Procedure..... 21**  
**Procedure to Clean Heavily Scaled Flake Ice Machines..... 22**  
**Removal of Parts for Cleaning/Sanitizing ..... 23**  
    Ice Chute Removal..... 23  
**Air-Cooled Condenser Cleaning ..... 24**  
**Removal from Service/Winterization..... 24**  
    Water-Cooled Ice Machines ..... 24

**Section 5  
Troubleshooting**

**Checklist..... 25**

# Section 1

## General Information

---

### Model Numbers

This manual covers the following models:

#### FLAKE UNDERCOUNTER MODELS

<b>Self-Contained Air-Cooled</b>
UFF0200A
UFF0350A

#### NUGGET UNDERCOUNTER MODELS

<b>Self-Contained Air-Cooled</b>
UNF0200A
UNF0300A

#### FLAKE MODULAR MODELS

Self-Contained Air-Cooled	Self-Contained Water-Cooled	QuietQube Head Section	RCUF Remote Condensing Unit
RFF0320A	---	---	---
RFF0620A	RFF0620W	---	---
---	---	RFF1220C	RCUF1200
RFF1300A	RFF1300W	---	---
---	---	RFF2200C	RCUF2200
RFF2500A	---	---	---

#### NUGGET MODULAR MODELS

Self-Contained Air-Cooled	Self-Contained Water-Cooled	QuietQube Head Section	RCUF Remote Condensing Unit
RNF0320A	---	---	---
RNF0620A	RNF0620W	---	---
RNF1100A	RNF1100W	RNF1020C	RCUF1000
---	---	<b>RNF2000C</b>	<b>RCUF2200</b>

#### **Warning**

Remove all ice machine panels before lifting and installing.

#### **Caution**

Flake ice machines must be installed on a bin. Flake ice machines cannot be installed on dispensers.

**Adapters**

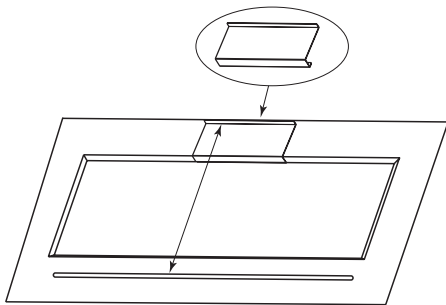
**RFF2500 BIN ADAPTER INSTALLATION**

**⚠ Warning**

**PERSONAL INJURY POTENTIAL**

RFF2500 ice machines are not approved for use on B or D series bins. RFF2500 ice machines ship with a bracket that must be used when installing on F Series bins.

1. Refer to diagram. Place bracket on bin top and slide back to engage.
2. Place ice machine on bin: ice machine must fit between bracket and front ridge.



**Arctic Pure Water Filter System**

Engineered specifically for Manitowoc ice machines. This water filter is an efficient, dependable, and affordable method of inhibiting scale formation, filtering sediment, and removing chlorine taste and odor.

**Manitowoc Cleaner and Sanitizer**

Manitowoc Ice Machine Metal Safe Cleaner is available in convenient 16 oz. (473 ml) bottles. Manitowoc Ice Machine Sanitizer is available in 16 oz. (473 ml) and 1 gal (3.78 L) bottles.

Cleaner Part Number		Sanitizer Part Number	
16 oz.	000000084	16 oz.	9405653
		1 Gallon	94-05813

**Warranty Information**

Visit [www.manitowocice.com](http://www.manitowocice.com) for:

- Warranty Verification
- Warranty Registration
- View and download a copy of your warranty



## Section 2

# Installation Instructions

### Location of Ice Machine

The location selected for the ice machine must meet the following criteria. If any of these criteria are not met, select another location.

- The location must be free of airborne and other contaminants.
- This equipment is intended for indoor use only. Do not install or operate this equipment in outdoor areas.
- The air temperature must be at least 50°F (10°C), but must not exceed 110°F (43°C).
- The water temperature must be at least 37°F (3°C), but must not exceed 90°F (32°C).
- The location must not be near heat-generating equipment or in direct sunlight.
- The location must be capable of supporting the weight of the ice machine and a full bin of ice.
- The location must allow enough clearance for water, drain and electrical connections in the rear of the ice machine.
- The location must not obstruct airflow through or around the ice machine.

### CLEARANCE REQUIREMENTS

Undercounter Units	Air-Cooled	Water-Cooled
Top	0" (0 cm)	0" (0 cm)
Sides	2" (5 cm)	2" (5 cm)
Back	8" (20 cm)	8" (20 cm)

NOTE: Allowance must be made for removal when the ice machine is built in. Removal of the top panel is required for cleaning & sanitizing.

Modular Units	Air-Cooled	Water-Cooled	QuietQube Air-Cooled
Top/Sides	8" (20 cm)	8" (20 cm)	0" (0 cm)
Back	5" (13 cm)	5" (13 cm)	0" (0 cm)

RCUF Units	Remote Condensing Unit
Front/Back	24" (61 cm)
Sides/Top	6" (15.2 cm)

24 inches clearance on top and sides is recommended for serviceability.

### Installation Requirements

- The ice machine and bin must be level.
- Install the bin drain and ice machine drain separately.
- Ice machine drain must be vented.
- Bin drain termination must have an air gap.
- When local code requires, a backflow preventer must be installed on the water inlet line.
- The ice machine and bin must be sanitized after installation.
- Local water conditions may require treatment of the water to inhibit scale formation, filter sediment, and remove chlorine odor and taste.
- Routine adjustments and maintenance procedures outlined in this manual are not covered by the warranty.

### Ice Machine Heat of Rejection

Series Ice Machine	Heat of Rejection Btu/h
UFF0200 RFF0320	2400
UNF0200	2800
UNF0300 - UFF0350	5000
RNF0320	3075
RFF0620 - RNF0620	5200
RNF1100	7500
RFF1300	7500
RFF2500	17000

Ice machines, like other refrigeration equipment, reject heat through the condenser. It is helpful to know the amount of heat rejected by the ice machine when sizing air conditioning equipment.

This information is also necessary when evaluating the benefits of using water-cooled or remote condensers to reduce air conditioning loads. The amount of heat added to an air conditioned environment by an ice machine using a water-cooled or remote condensing unit is negligible.

Knowing the amount of heat rejected is also important when sizing a cooling tower for a water-cooled condenser.

## Water and Drain Requirements

### POTABLE WATER REQUIREMENTS

Follow these guidelines to install water inlet lines:

- Do not connect the ice machine to a hot water supply. Be sure all hot water restrictors installed for other equipment are working. (Check valves on sink faucets, dishwashers, etc.)
- If water pressure exceeds the maximum of 80 psig (552 kPA) recommended pressure, obtain a water pressure regulator.
- Install a water shut-off valve and union for both the ice making and condenser water lines.
- Insulate water inlet lines to prevent condensation.
- Plumbing must conform to local codes.

 **Caution**

Do not apply heat to water valve inlet fitting or over-tighten. This will damage plastic water inlet connection.

### DRAIN CONNECTIONS

Follow these guidelines when installing drain lines to prevent drain water from flowing back into the ice machine and storage bin:

- Drain lines must have a 1.5 inch drop per 5 feet of run (2.5 cm per meter), and must not create traps.
- The floor drain must be large enough to accommodate drainage from all drains.
- Run separate bin and water-cooled condenser drain lines. Insulate them to prevent condensation.
- Vent the ice machine drain to the atmosphere. The ice machine drain requires an 18" (46 cm) vent. Do not vent the condenser drain on water-cooled models.
- Drains must have a union or other suitable means to allow in-place disconnection from the ice machine when servicing is required.

### COOLING TOWER APPLICATIONS

A water cooling tower installation does not require modification of the ice machine. The water regulator valve for the condenser continues to control the refrigeration discharge pressure.

It is necessary to know the amount of heat rejection, and pressure drop through the condenser and water valves (inlet and outlet) when using a cooling tower on an ice machine.

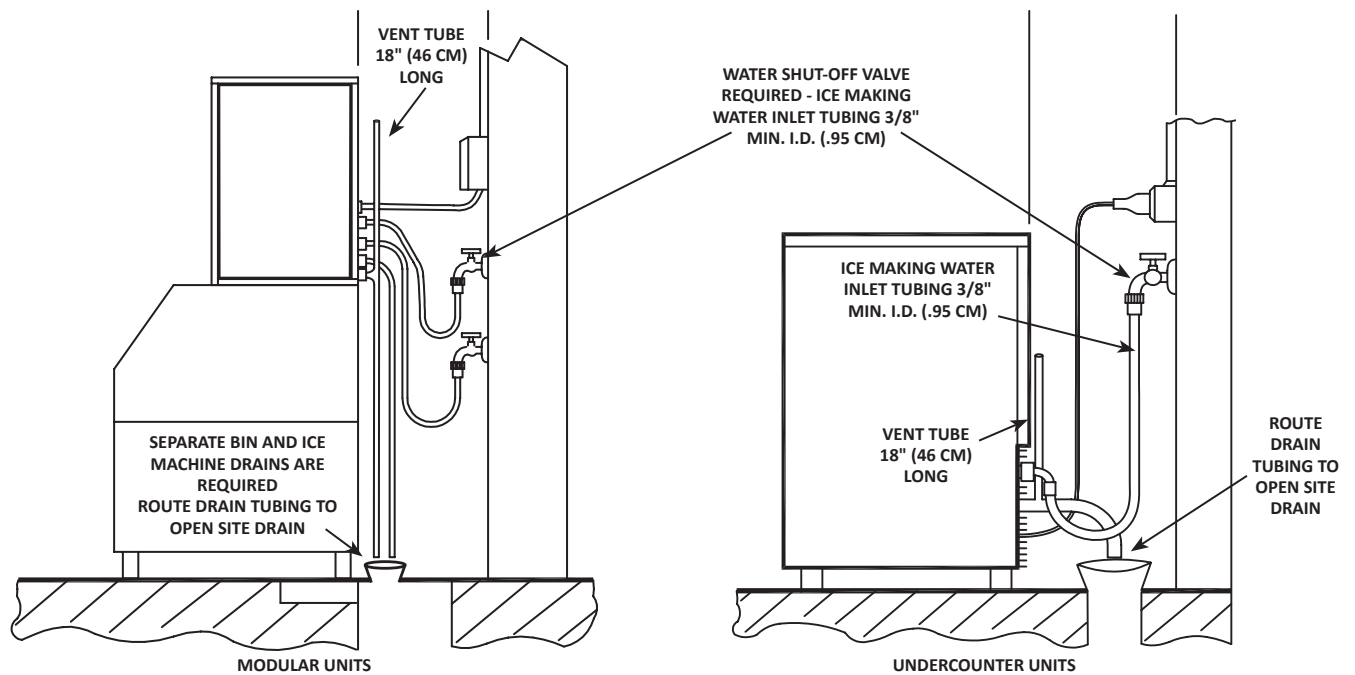
- Water entering the condenser must not be lower than 37°F (3°C) or exceed 90°F (32°C).
- Water flow through the condenser must not exceed 5 gal. (19 L) per minute.
- Allow for a pressure drop of 7 psi (48 kPa) between the condenser water inlet and the outlet of the ice machine.
- Water exiting the condenser must not exceed 110°F (43°C).

### ICE MACHINE WATER USAGE

Series Ice Machine	Potable Water Gal/100Lbs Ice	Condenser Gal/100Lbs Ice
UFF0200	12.0	—
RNF0320	12.0	—
RFF0320	12.0	—
RNF0620	12.0	109
RFF0620	12.0	106
RNF1100	12.0	131
RFF1300	12.0	116
RFF2500	12.0	138

**WATER SUPPLY AND DRAIN LINE SIZING/CONNECTIONS**

Location	Water Temp Min/Max	Water Pressure Min/Max	Fitting/Min Tubing Size
Potable Water Inlet	37°/90°F (3°/32°C)	20/80 psi (138/552 kPA)	3/8" FPT
Potable Water Drain	---	---	1/2" MPT
Condenser Water Inlet	37°/90°F (3°/32°C)	20/150 psi (138/1034 kPA)	3/8" FPT RFF2500 only = 1/2" FPT
Condenser Water Drain	---	---	1/2" MPT
Bin Drain	---	---	3/4" FPT
Large Capacity Bin Drain	---	---	1" FPT



**Typical Water Supply Drain Installation**

## Electrical Service

### Warning

All wiring must conform to local, state and national codes.

### VOLTAGE

The maximum allowable voltage variation is  $\pm 10\%$  of the rated voltage at ice machine start-up (when the electrical load is highest).

### Warning

The ice machine must be grounded in accordance with national and local electrical codes.

All electrical work, including wire routing and grounding, must conform to local, state and national electrical codes. The following precautions must be observed:

- The ice machine must be grounded.
- A separate fuse/circuit breaker must be provided for each ice machine.
- A qualified electrician must determine proper wire size dependent upon location, materials used and length of run (minimum circuit ampacity can be used to help select the wire size).
- Check all ground screws in the control box and verify they are tight before starting the ice machine.

### Important

Observe correct polarity of incoming line voltage. Incorrect polarity can lead to erratic ice machine operation. L1 is the wire colored brown and L2/N is the wire colored blue.

### FUSE/CIRCUIT BREAKER

A dedicated circuit and a separate fuse/circuit breaker are required for each ice machine.

### GROUND FAULT CIRCUIT INTERRUPTER


We do not recommend the use of a GFCI/GFI circuit protection with our equipment. If a GFCI/GFI is required by code, use a GFCI/GFI breaker rather than outlet which is more prone to intermittent nuisance trips than panel circuit breakers.

### MINIMUM POWER CORD SPECIFICATIONS

The wire size to the receptacle is dependent upon location, materials used, length of run, etc., so it must be determined by a qualified electrician. Local, state or national requirements will supersede our minimum requirements.

### FOR UNITED KINGDOM ONLY

As the colors of the wires in the mains lead of the appliance may not correspond with the colored markings identifying the terminals in your plug, proceed as follows:

- The wire which is colored green and yellow must be connected to the terminal in the plug which is marked with the letter E or by the earth ground symbol  or colored green or green and yellow.
- The wire colored blue must be connected to the terminal which is marked with the letter N or colored black.
- The wire colored brown must be connected to the terminal which is marked with the letter L or colored red.

## Maximum Breaker Size & Minimum Circuit Amperage Chart

### Important

Due to continuous improvements, this information is for reference only. Please refer to the ice machine serial number tag to verify electrical data. Serial tag information overrides information listed on this page.

Series Ice Machine	Voltage Phase Cycle	Air-Cooled			Water-Cooled		QuietQube	
		Max Fuse/Circuit Breaker	Min Circuit Amps	Total Circuit Amps	Max Fuse/Circuit Breaker	Min Circuit Amps	Max Fuse/Circuit Breaker	Total Circuit Amps
UNF0200	115/1/60	15 Amp	—	7.5	—	—	—	—
UFF0200	115/1/60	15 Amp	—	7.5	—	—	—	—
UFF0350	115/1/60	15 Amp	—	10.0	—	—	—	—
UNF0300	115/1/60	15 Amp	—	10.0	—	—	—	—
RFF0320	115/1/60	20 Amp	12.8	—	—	—	—	—
RNF0320	115/1/60	20 Amp	12.8	—	—	—	—	—
RNF0620	115/1/60	25 Amp	16.3	—	25 Amp	15.4	—	—
RFF0620	115/1/60	25 Amp	16.3	—	25 Amp	15.4	—	—
	208-230/1/60	15 Amp	8.7	—	15 Amp	8.2	—	—
RNF1100 RNF1020C	115/1/60	—	—	—	—	—	15 Amp	2.9
	208-230/1/60	20 Amp	14.2	—	20 Amp	13.7	—	—
RFF1300	208-230/1/60	20 Amp	12.5	—	20 Amp	12.5	15 Amp	1.4
RNF2000C RFF2200C	208-230/1/60	—	—	—	—	—	15 Amp	3.2
RFF2500	208-230/3/60	20 Amp	15.0	—	—	—	—	—

**NOTE:** Maximum allowable voltage variation at compressor start-up is  $\pm 10\%$  of voltage listed above and on the model/serial plate.

### QUIETQUBE REMOTE CONDENSING UNIT

Condensing Unit	Voltage/Phase/Cycle	Maximum Fuse/Circuit Breaker	Minimum Circuit Amps
RCUF1200	208-230/60/1	15	15
	208-230/60/3	15	15
RCUF1000	208-230/60/1	15	15
	208-230/60/3	15	15
RCUF2200	208-230/60/3	15	15

**Refrigeration System Installation  
Remote Condensing Unit Only**

QuietQube® Ice Machine	Remote Condensing Unit	Line Set*
RNF1020C RFF1220C RNF2000C RFF2200C	RCUF1000 RCUF1200 RCUF2200 RCUF2200	RC-51
*Line Set	Suction Line	Liquid Line
RC 51	5/8 inch (15.9 mm)	3/8 inch (9.5 mm)

**Important**

Manitowoc remote systems are only approved and warranted as a complete new package. Warranty on the refrigeration system will be void if a new ice machine head section is connected to pre-existing (used) tubing or condensing units or vice versa.

**USAGE WITH NON-MANITOWOC CONDENSING UNITS**

Manitowoc Remote Condensing Units are specifically designed for usage with a QuietQube® Ice Machine Head Section. Standard condensing units and Non-Manitowoc condensing units are not approved for use with a QuietQube® Ice Machine Head Section.

**⚠ Caution**

The 60-month compressor warranty (including the 36-month labor replacement warranty) will not apply if the Manitowoc Ice Machine and Manitowoc Remote Condensing Unit are not installed according to specifications. This warranty also will not apply if the refrigeration system is modified with a condenser, heat reclaim device, or other parts or assemblies not manufactured by Manitowoc Ice.

**Factory Equipment Refrigeration Amounts**

ICE MACHINE HEAD SECTION

Each ice machine condensing unit ships from the factory with a refrigerant charge appropriate for the entire system operation. The serial tag on the ice machine indicates the refrigerant charge. The refrigerant charge is sufficient to operate the ice machine in ambient temperatures between -20°F (-28.9°C) and 120°F (48.9°C). With line set lengths of up to 100 feet (30.5 m).

**⚠ Warning**

**Potential Personal Injury Situation**

The QuietQube Condensing Unit contains the refrigerant charge. Installation and brazing of the line sets must be performed by a properly trained and EPA-certified refrigeration technician aware of the **dangers of dealing with refrigerant**-charged equipment.

REFRIGERATION LINE SETS/TRAP KIT

Refrigeration Rated Tubing and Trap Kits are shipped capped with atmospheric pressure.

**⚠ Warning**

Installation of a QuietQube® Condensing Unit may require the use of special equipment for placement. Trained and qualified personnel are required for proper rigging and lifting.

## Refrigeration Line Set Installation Remote Condensing Unit Only

### GENERAL

Refrigeration line set installations consist of vertical and horizontal line set distances between the ice machine and the condensing unit. The following guidelines, drawings and calculation methods must be followed to assure proper oil return and remote condensing unit/ice machine operation.

The refrigeration line set installer must be USA Government-Environmental Protection Agency (EPA) certified in proper refrigerant handling and servicing procedures.

#### **Warning**

The QuietQube Condensing unit contains refrigerant charge. The two refrigeration valves **must remain closed** until proper installation of the line sets is completed.

#### **Warning**

Disconnect electrical power to the ice machine head section and remote condensing unit before proceeding.

### Step 1 Verify Ice Machine and Remote Condensing Unit Locations Are Within Guidelines

Prior to installation of the ice machine head section and remote condensing unit be sure that the distance between them is within the line set routing guidelines outlined in this manual.

#### Roof/Wall Penetration

If required, cut a 3-inch (76.2 mm) circular hole in the wall or roof for routing of refrigeration tubing. A qualified person must perform all roof penetrations.

### Step 2 Route Refrigeration Tubing

Properly route refrigeration tubing between the ice machine head section and the remote condensing unit.

### A. LINE SET LENGTH

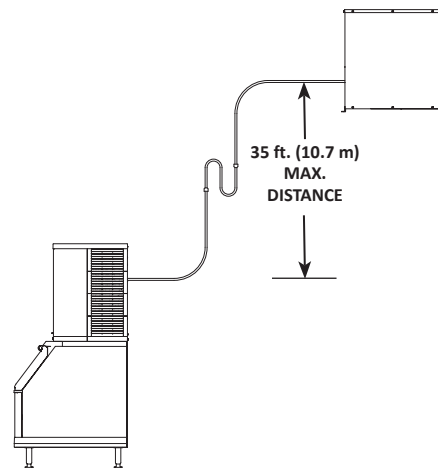
**100 feet (30.5 m) Length:** The maximum measured length the line set can be.

The receiver is designed to hold a charge sufficient to operate the ice machine in ambient temperatures between -20°F (-28.9°C) and 120°F (48.9°C), with line set lengths of up to 100 feet (30.5 m). The maximum amount of line set which can be exposed on the rooftop is 25% of the total length of the line set.

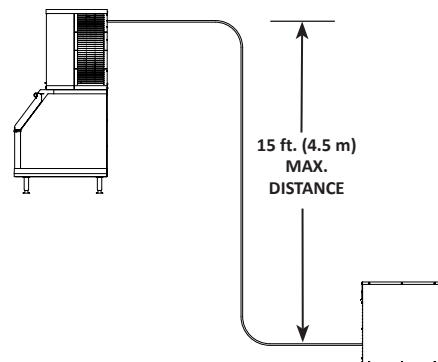
#### Important

QuietQube® ice machines will not function with line sets greater than 100 feet (30.5 m). Do not attempt to go beyond this distance and add refrigerant charge to compensate!

### B. LINE SET RISE OR DROP



**35 feet (10.7 m) Rise:** The maximum distance the remote condensing unit can be above the ice machine.



**15 feet (4.5 m) Drop:** The maximum distance the remote condensing unit can be below the ice machine.

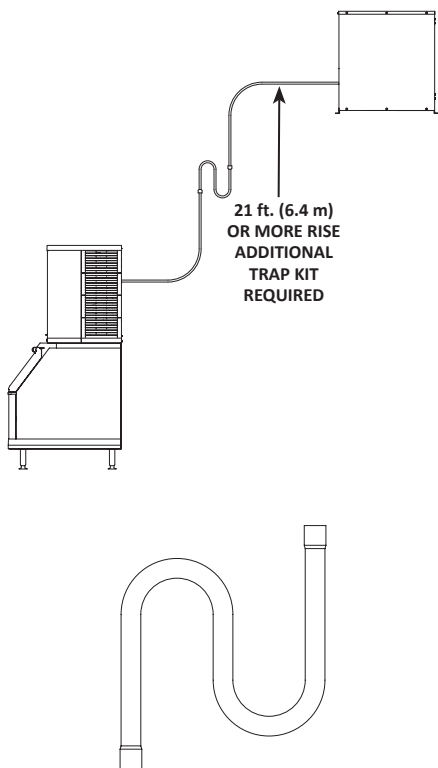
**C. SUCTION LINE OIL TRAPS**

**⚠ Caution**

Do not form unwanted traps in refrigeration lines. Never coil excess refrigeration tubing.

**0 to 20 feet (0 to 6.1 m) Rise:** No oil trap is required when the condensing unit is located 20 feet (6.1 m) or less above the ice machine head section.

**21 to 35 feet (6.4 to 10.7 m) Rise:** The suction line requires an additional Oil Trap (“S” type) to be installed. Install the trap as close as possible to midpoint between the ice machine head section and remote condensing unit. S-Trap Kits are available from Manitowoc.

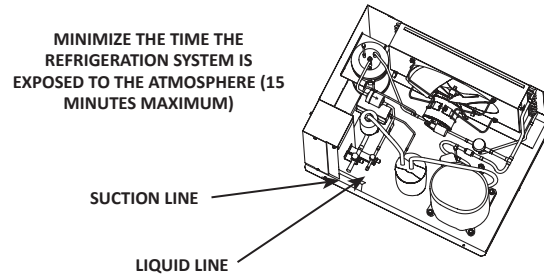


**Step 4 Connecting the line set**

To prevent oxidation of the copper, purge line set with dry nitrogen while brazing.

**A. Connect the Line Set to the Remote Condensing Unit**

The condensing unit is shipped with a refrigerant charge. The line set shut-off valves must remain closed during brazing. Protect the valves from heat during the brazing process. Wrap the valves in a wet rag or other type of heat sink prior to brazing. Cool braze joint with water immediately after brazing to prevent heat migration to the valve.



**B. Connect the Line Set to the Ice Machine Head Section**

- Cut the suction and liquid tubing with a tubing cutter, leaving enough tubing to easily braze.
- Connect the line set.
- Cool braze joint with water immediately after brazing to prevent heat migration.

**Step 3 Lengthening or Reducing Line Set Lengths**

**⚠ Caution**

Do not form unwanted traps in refrigeration lines. Never coil excess refrigeration tubing.

When the line set requires shortening or lengthening, do so before connecting the line set to the ice machine head section or the remote condensing unit.



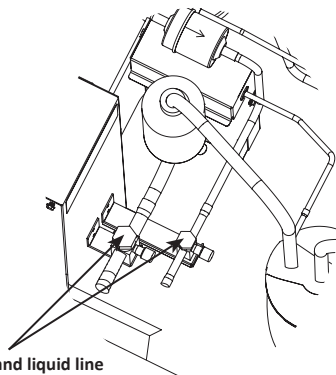
**Step 5 Pressure Test and Evacuate Line Set and Ice Machine Head Section**

- Pressure testing and evacuation can be performed from the ice machine head section or CVD condensing unit shut-off valves.
- Schrader valve core removal tools that allow for removal and installation of the valve cores without removing manifold gauge set hoses are recommended to decrease the evacuation time.
- Pressure test @ 150 psi (1000 kPa) for a minimum of 15 minutes.
- Minimum evacuation level is 500 microns.

**Step 6 Open the valves and leak check the refrigeration system prior to startup of the ice machine**

- Backseat (open-turn counterclockwise) the suction shutoff valve.
- Backseat (open-turn counterclockwise) the liquid line shutoff valve.

Disconnect power to the remote condensing unit. Confirm water is supplied to the ice machine, then place the ice machine rocker switch in the ON position. The water trough will fill and initiate an 8 minute delay period. When the 8 minute delay period ends the liquid line solenoid valve will energize and equalize the low side and high side pressures. Leak check the line set connections, S trap and all factory joints throughout the entire system. When the leak check is complete, place the rocker switch in the OFF position. Connect power to the remote condensing unit and allow system to pump down.



Verify suction and liquid line shut-off valves are open before operating the ice machine

**Important**

All refrigeration valve caps must be reinstalled to prevent future refrigeration leaks.

Verify O-ring in Schrader valve caps are intact and reinstall on shutoff valves to prevent refrigerant leakage. Replace shutoff valve access caps and torque to the following specifications.

**Torque Values**

Stem	18-20 ft. lbs. (24.4-27.1 Nm)
Caps	12-15 ft. lbs. (16.3-20.3 Nm)
Schrader Core	1.5-3 in. lbs. (0.17-0.34 Nm)

**Step 7 Insulation Requirements**

To prevent condensation, the entire suction line must be insulated. All insulation must be airtight and sealed at both ends.

The following insulation requirements prevent condensation at 90°F (32°C) ambient 90% Relative Humidity. If higher humidity is expected, increase insulation thickness.

The entire suction line set requires:

Suction Line	Liquid Line	Min. Insulation Thickness
5/8 in. (16 mm)	3/8 in. (10 mm)	3/8 in. (9 mm) Suction Line 3/8 in. (9 mm) Liquid Line

**Important**

To prevent condensation, the entire suction line must be insulated. All insulation must be airtight and sealed at both ends.

The minimum requirements are for conditions at or below 90% humidity and 90°F (32°C) ambient. When higher humidity will be experienced, or local code requires, insulation wall thickness will need to be increased.

### Installation Check List

All Manitowoc ice machines are factory-operated and adjusted before shipment. Adjustments and maintenance procedures outlined in this manual are the responsibility of the owner/operator and are not covered by the warranty.

- Is the ice machine level?
- Is the ice machine and adapter (when used) secured to the dispenser?
- Have all of the electrical and water connections been made?
- Has the supply voltage been tested and checked against the rating on the nameplate?
- Is there proper clearance around the ice machine for air circulation?
- Is the ice machine grounded and polarity correct?
- Has the ice machine been installed where ambient temperatures will remain in the range of 50° - 110°F (10° - 43°C)?
- Has the ice machine been installed where the incoming water temperature will remain in the range of 37° - 90°F (3° - 32°C)?
- Is there a separate drain for the water-cooled condenser?
- Is there a separate drain for the dispenser?
- Is the ice making water turned on?
- Are all electrical leads free from contact with refrigeration lines and moving equipment?
- Has the owner/operator been instructed regarding maintenance and the use of Manitowoc Cleaner and Sanitizer?
- Has the owner/operator completed the warranty registration card?
- Has the ice machine and bin been sanitized?
- Is the rocker switch set to ON?

### Additional Checks for QuietQube Models

- Is the line set length, rise and drop within the guidelines?
- Are the suction and liquid line shut-off valves open?
- Is the line set routed properly?
- Are both refrigeration lines to remote condensing unit run so they do not lay in water and are properly insulated?
- Does the condenser fan motor(s) operate properly after start-up?
- Have all the refrigeration fittings and joints been leak checked?
- Has the condenser/condensing unit been installed to prevent any roofing damage?
- Have the refrigeration lines been insulated and secured properly to prevent vibration?
- Has the RCUF remote condensing unit been located where ambient temperatures will remain in the range of -20° to 120°F (-29° to 48.9°C)?
- Is a refrigeration oil trap (S-trap) installed if the condenser is installed 21 to 35 feet (6 to 11 m) above the ice machine head?

## Section 3 Operation

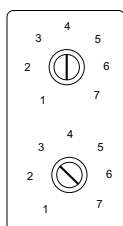
NOTE: Flake and nugget ice machines use an auger to remove ice from the evaporator. Occasional noises (creaks, groans, squeaks, or pops) are a normal part of the ice making process.

### Bin Thermostat and Evaporator Low Temperature Safety Adjustment Chart

The bin thermostat sensing bulb is located in the ice chute or bin and turns the ice machine on and off as the level of ice in the ice chute or bin changes. The evaporator low temperature safety protects the evaporator and compressor from damage caused by water loss or gear motor failure.

Model	Bin Thermostat Setting	Evaporator Thermostat Setting
UNF0200	5	5
UFF0200	5	5
UNF0300	5	6
RFF0320	3	7
RNF0320	3	6
UFF0350	5	7
RNF0620	3	---
RFF0620	3	---
RNF1020C	3	---
RNF1100	3	---
RFF1220C	3	---
RFF1300	3	---
RNF2000C	3*	---
RFF2200C	3	---
RFF2500	3	---

\* Indicates preliminary data



**BIN THERMOSTAT**  
SMALL NUMBERS = LESS ICE IN BIN  
LARGE NUMBERS = MORE ICE IN BIN

**EVAPORATOR LOW TEMPERATURE SAFETY THERMOSTAT**  
INCORRECT SETTINGS WILL CAUSE ICE MACHINE TO SHUT OFF

### Thermostat Adjustment for Altitude

Installation at altitude will require an adjustment to allow the ice machine to operate according to the thermostat setting chart.

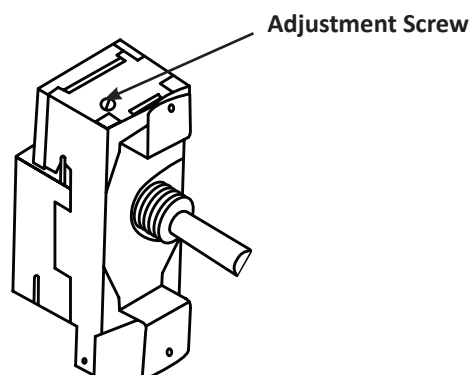
Refer to table and adjust bin thermostat to match the installation location altitude.

After adjustment verify the ice machine operates according to the bin thermostat adjustment chart.

NOTE: The screw located between the electrical terminals sets the cut-in/cut-out differential and must never be adjusted.

### ALTITUDE ADJUSTMENT CHART

Altitude Feet Meters	Bin Thermostat
	Turn Screw Clockwise to Adjust
2000 610	1/4 Turn
4000 1219	5/8 Turn
6000 1829	1 Turn
8000 2438	1 3/8 Turn

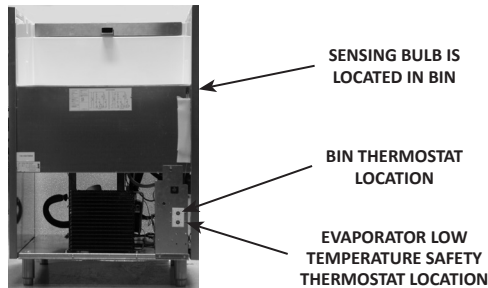


**UFF0200/UNF0200/UFF0350/UNF0300 Operation**

The ice machine will not start until:

- A. The rocker switch is moved to "ON".
- B. Ice does not contact the bin thermostat bulb.
- C. The water reservoir is full of water.

Placing the toggle switch in the ON position starts the gear motor and refrigeration system. The float valve controls the water inlet valve and water level. The freeze cycle ends when ice contacts the bin thermostat. The ice machine will restart when ice no longer contacts the bin thermostat.

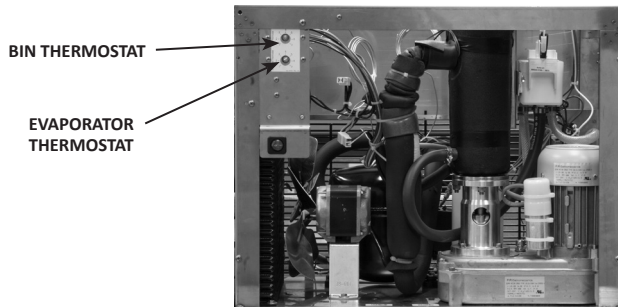


**RFF0320 & RNF0320 Operation**

The ice machine will not start until:

- A. The rocker switch is moved to "ON".
- B. Ice does not contact the bin thermostat bulb.
- C. The water reservoir is full of water.

Placing the toggle switch in the ON position starts the gear motor and a 8 minute compressor time delay. The compressor starts and the float valve controls the water inlet valve and water level. The freeze cycle ends when ice contacts the bin thermostat. The ice machine remains off until ice no longer contacts the bin thermostat.

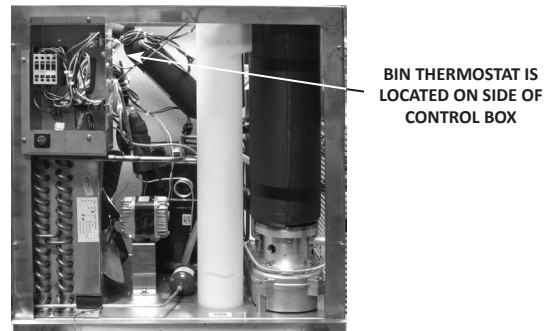


**RNF0620/RFF0620/RNF1020C/RNF1100/RFF1200C/RFF1300/RNF2000C/RFF2200C/RFF2500 Operation**

The ice machine will not start until:

- A. The rocker switch is moved to "ON".
- B. Ice does not contact the bin thermostat bulb.
- C. The water reservoir is full of water.

Placing the toggle switch in the ON position starts the gear motor. After the rotation speed sensor verifies 8 minutes of correct rotation, the time delay ends and the compressor starts. The ice machine will continue to make ice until ice contacts the bin thermostat. The ice machine remains off until ice no longer contacts the bin thermostat.



# Section 4 Maintenance

## Interior Cleaning and Sanitizing

Maintenance procedures covered in this manual are not covered by the warranty.

### Caution

Use only Manitowoc approved Metal Safe Ice Machine Cleaner (part number 000000084) and Sanitizer (part number 9405653). Do not mix Cleaner and Sanitizer solutions together. It is a violation of Federal law to use these solutions in a manner inconsistent with their labeling. Read and understand all labels printed on bottles before use.

### Warning

Wear rubber gloves and safety goggles (and/or face shield) when handling Ice Machine Cleaner or Sanitizer.

## CLEANING/SANITIZING PROCEDURE

This procedure must be performed once every six months.

- All ice must be removed from the bin.
- The ice machine and bin must be disassembled, cleaned and sanitized.
- The ice machine produces ice with the cleaner and sanitizer solutions.
- All ice produced during the cleaning and sanitizing procedure must be discarded.

## HEAVILY SCALED CLEANING PROCEDURE

Perform this procedure if you have some or all of these symptoms.

- Grinding, popping or squealing noises from the evaporator.
- Grinding noise from gearbox.
- Ice machine trips speed sensor.

NOTE: A Cleaning/Sanitizing Procedure must be performed after this procedure.

## Exterior Cleaning

Remove dust and dirt off exterior surfaces with mild household dishwashing detergent and warm water. Wipe dry with a clean, soft cloth.

## Cleaning/Sanitizing Procedure

Use Metal Safe Ice Machine Cleaner, part number 000000084.

Use Ice Machine Sanitizer part number 9405653.

**Step 1** Remove front and top covers and set the toggle switch to the OFF position.

**Step 2** Remove all ice from the bin.

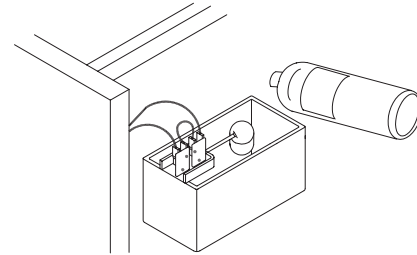
**Step 3** Turn off the ice making water supply and drain water from evaporator and reservoir.

**Step 4** Remove the top cover from water reservoir.

**Step 5** Follow the chart and premix cleaner and water.

Amount of Water	Amount of Metal Safe Cleaner - Part Number 000000084
1 gallon (4 Liters)	3 ounces (90 ml)

**Step 6** Fill the evaporator and reservoir with cleaning solution.



**Step 7** Move the toggle switch to the ON position. The ice machine will make ice with the cleaning solution and deposit the ice in the bin. Add the remaining cleaner/water solution as the water level in the reservoir drops.

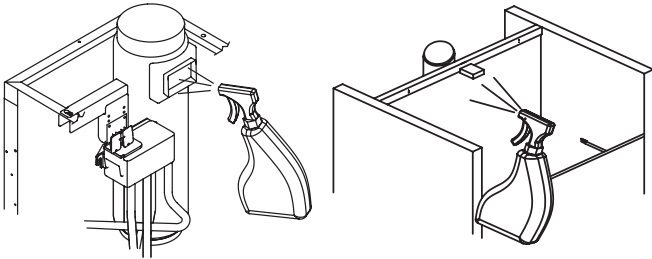
NOTE: Do not allow the cleaner/water level to drop below the minimum water level. The ice machine will discontinue the cleaning cycle if the water float switch opens.

**Step 8** After all of the cleaner/water solution has been added, turn on the ice making water supply. Continue the freeze cycle for 10 minutes to remove the cleaning solution from the water circuit.

**Step 9** Place the toggle switch in the OFF position.

**Step 10** Refer to Removal of Parts for Cleaning/Sanitizing and disassemble parts for hand cleaning/sanitizing.

- Hand clean all parts.
- Rinse all parts with clear potable water.
- Sanitize all parts — do not rinse after sanitizing.
- Spray all interior bin surfaces with sanitizer (do not rinse sanitized areas).
- Spray evaporator discharge spout.



**Step 11** Reassemble ice machine.

**Step 12** Turn off the ice making water supply.

**Step 13** Refer to chart and premix water and sanitizer.

Amount of Water	Amount of Sanitizer
1 Gallon (4 L) Water	0.5 ounce (15 ml)

**Step 14** Fill the evaporator and reservoir with sanitizer/water solution.

**Step 15** Move the toggle switch to the ON position. The ice machine will make ice with the sanitizer/water solution and deposit the ice in the bin. Add the remaining sanitizer/water solution when the water level in the reservoir drops.

NOTE: Do not allow the sanitizer/water level to drop below the minimum water level. The ice machine will discontinue the cleaning cycle if the water float switch opens.

**Step 16** After all of the sanitizer/water solution has been added to the reservoir, turn on the ice making water supply.

**Step 17** Continue the freeze cycle for 30 minutes and then discard all ice produced.

### Procedure to Clean Heavily Scaled Flake Ice Machines

**Step 1** Remove front and top covers and set the toggle switch to the OFF position.

**Step 2** Remove all ice from the bin.

**Step 3** Turn off the ice making water supply.

**Step 4** Remove the top cover from water reservoir.

**Step 5** Refer to chart below:

Premix cleaner with lukewarm water in a non-metallic container.

Model	Water Reservoir Capacity	Mix Cleaner and Water Use Metal Safe Ice Machine Cleaner, part number 000000084 only	
		Cleaner	Water
UNF0200 UFF0200 UFF0350 UNF0300	14 oz (400 ml)	9 oz (266 ml)	5 oz (148 ml)
RFF0320 RNF0320 RNF0620 RFF0620	17 oz (500 ml)	11 oz (325 ml)	6 oz (177 ml)
RNF1100 RFF1200C RFF1300	34 oz (1 L)	23 oz (680 ml)	11 oz (325 ml)
RNF2000C RFF2200C RFF2500	68 oz (2 L)	46 oz (1.3 L)	22 oz (650 ml)

**Step 6** Remove all water from the evaporator and water reservoir. Add the entire cleaner/water solution and re-install the reservoir cover.

**Leave the cleaner/water solution in the evaporator for a minimum of 4 hours.**

**Step 7** Remove all cleaner/water from the evaporator and water reservoir.

**Step 8** Follow the standard cleaning and sanitizing procedures.

### Removal of Parts for Cleaning/Sanitizing

**⚠ Warning**

Disconnect electric power to the ice machine at the electric switch box and wear rubber gloves and safety goggles (or face shield) while handling cleaner or sanitizer.

**⚠ Caution**

Do not mix Cleaner and Sanitizer solutions together. It is a violation of Federal law to use these solutions in a manner inconsistent with their labeling.

1. Turn off the water supply to the ice machine at the water service valve.
2. Remove the components listed on the following pages for cleaning and sanitizing.
3. Soak the removed part(s) in a properly mixed solution of cleaner and water.

Solution Type	Water	Mixed With
Cleaner	1 gal. (4 L)	16 oz (500 ml) cleaner Part Number 000000084

4. Use a soft-bristle brush or sponge (NOT a wire brush) to carefully clean the parts.
5. Use the solution and a brush or sponge to clean all disassembled components and the inside of the bin.
6. Rinse all cleaned parts with clear water.
7. Mix a solution of sanitizer and water.

Solution Type	Water	Mixed With
Sanitizer	3 gal. (11 L)	2 oz (60 ml) sanitizer Part Number 9405653

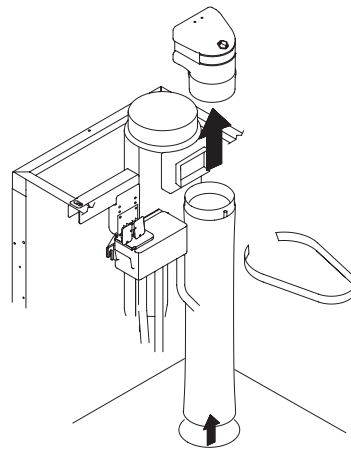
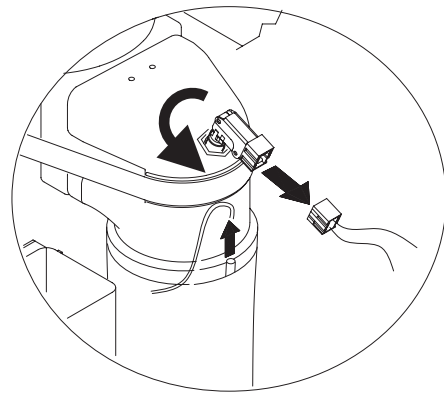
8. Soak the parts in the sanitizer/water solution for 10 minutes. Use the sanitizer/water solution and a sponge to sanitize all removed components and the inside of the bin. Do not rinse the sanitized parts.
9. Continue with step 11 of the cleaning/sanitizing procedure.

### ICE CHUTE REMOVAL

RNF0620/RFF0620/RNF1020C/RNF1100/RFF1200C/RFF1300/RNF200C/RFF2200C/RFF2500 Only

Place the toggle switch in the OFF position, turn off the water supply and disconnect electrical power to the ice machine.

10. Disconnect water supply.
11. Remove water reservoir cover.
12. Remove microswitch and bin thermostat from the ice chute.
13. Remove retainer, ice chute elbow and ice chute.



## Air-Cooled Condenser Cleaning

### Warning

Disconnect electric power to the ice machine and the remote condenser at the electric service switch before cleaning the condenser.

A dirty condenser restricts airflow, resulting in excessively high operating temperatures and reduced ice production. Clean the condenser at least every six months.

### Caution

The condenser fins are sharp. Use care when cleaning them.

1. Clean the outside of the condenser with a soft brush or a vacuum with a brush attachment. Shine a flashlight through the condenser to check for dirt between the fins. If dirt remains, a method suitable to remove the contamination must be used to ensure air flow.
2. Modular Units Only: Clean the washable filter with a mild soap and water solution.

## Removal from Service/Winterization

1. Clean and sanitize the ice machine.
2. Press the power button and turn off the ice machine.
3. Turn off the water supply, disconnect and drain the incoming ice-making water line at the rear of the ice machine and drain the water trough.
4. Energize the ice machine, wait one minute for the water inlet valve to open and blow compressed air in both the incoming water and the drain openings in the rear of the ice machine to remove all water.
5. Press the power button and turn off the ice machine. Disconnect the electric power at the circuit breaker or the electric service switch.
6. Fill spray bottle with sanitizer/water solution and spray all interior food zone surfaces. Do not rinse and allow to air dry.
7. Replace all panels.

## WATER-COOLED ICE MACHINES

1. Perform steps 1-6.
2. Disconnect the incoming water and drain line from the water-cooled condenser.
3. Energize the ice machine in the freeze cycle. The increasing refrigerant pressure will open the water regulating valve.
4. Blow compressed air through the condenser until no water remains.
5. Replace all panels.



## Section 5 Troubleshooting

### Checklist

If a problem arises during operation of your ice machine, follow the checklist below before calling service. Routine adjustments and maintenance procedures are not covered by the warranty.

Problem	Possible Cause	To Correct
Ice machine does not operate.	No electrical power to the ice machine and/or condensing unit.	Replace the fuse/reset the breaker/turn on the main switch.
	High pressure cutout tripping.	Clean condenser coil. (See Section 4)
	Power switch set improperly.	Move the switch to the ON position.
	Bin thermostat open or ice touching thermostat probe.	Adjust thermostat or remove ice.
	No water in reservoir.	No water to ice machine, plugged filter, float valve defective.
	Ice chute switch open.	Check for ice or binding and close switch.
	Low air temperature around ice machine.	Air temperature must be at least 35°F (2°C).
Gearmotor runs and no ice is produced	Time delay has not expired.	Wait 10 minutes for time delay to expire.
	High pressure cutout tripping.	Clean condenser coil and reset.
	Low pressure control open.	Thaw evaporator and retest - Call for service.
Low Production	Due for normal maintenance.	Perform cleaning procedure. (See Section 4)
	Ice machine starts and stops without a full bin of ice.	Perform cleaning procedure. (See Section 4)

THIS PAGE INTENTIONALLY LEFT BLANK





MANITOWOC ICE  
2110 SOUTH 26TH STREET, MANITOWOC, WI 54220

800-545-5720  
WWW.MANITOWOCICE.COM



Welbilt offers fully-integrated kitchen systems and our products are backed by KitchenCare® aftermarket parts and service. Welbilt's portfolio of award-winning brands includes **Cleveland™**, **Convotherm®**, **Crem®**, **Delfield®**, **fitkitchen®**, **Frymaster®**, **Garland®**, **Kolpak®**, **Lincoln®**, **Manitowoc®**, **Merco®**, **Merrychef®** and **Multiplex®**.

*Bringing innovation to the table* • **welbilt.com**