



sT3000W Ice Cube Machine

sT3000W Ice Cube Machine

Models

- SDT3000W-263H SYT3000W-263H



sT3000 Ice Machine on F-1325 Bin

Standard Features

- Quadzilla™ Evaporator System- places four high-output individual evaporators in a compact 48" (121.92 cm) wide ice maker for up to 3,380 lbs. (1,533 kgs.) daily ice production.
- Ice machine is 48" W x 31" D x 36" H (121.92 x 78.74 x 91.44 cm).
- Select components made with AlphaSan® antimicrobial.
- Patented ice harvest technology reduces energy requirements.
- R410A CFC-free refrigerant (48% less global warming potential)

Warranty

- 5-year parts and 5-year labor coverage on ice machine evaporator.
- 5-year parts and 3-year labor coverage on ice machine compressor.
- 3-year parts-and-labor coverage on all other components.

Specifications

BTU Per Hour:
45,000 (average)
51,000 (peak)

Compressor:
Nominal rating: 5.0 HP

Cupra-Nickel Condenser:
Adds protection from corrosive water elements.

Operating Limits:

- Ambient Temperature Range: 40° to 110° F (4.4° to 43.3° C)
- Water Temperature Range: Potable Water: 40° to 90° F (4.4° to 32.2° C)
- Condenser: 35° to 110°F (1.67° to 43.3°C)
- Water Pressure Ice Maker Water In: Min. 20 psi (137.9 kPa) Max. 80 psi (551.1 kPa)
- Condenser Inlet Water In: Min. 20 psi (137.9 kPa) Max. 250 psi (1,034.2 kPa)

The sT3000 is equipped with high pressure valves that handles water pressure from minimum of 20 psi (137.9 kPa) to a maximum 350 psi (2413.2 kPa)

Ice Machine Electric

available in 208-230v/60Hz/ 3 phase

Minimum circuit ampacity:

30 amps

Maximum fuse size:

30 amps

HACR-type circuit breakers can be used in place of fuses.

Ice Shape



Half Dice
3/8" x 1 1/8" x 7/8"
(.95 x 2.86 x 2.22 cm)



Dice
7/8" x 7/8" x 7/8"
(2.22 x 2.22 x 2.22 cm)



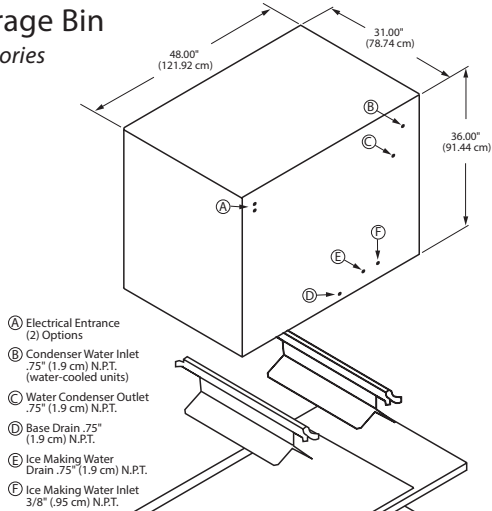
COMPANY WITH
QUALITY SYSTEM
CERTIFIED BY DNV
= ISO 9001:2008 =



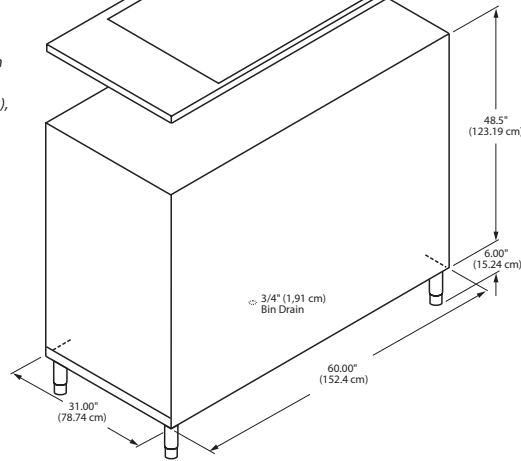
ST3000W Ice Cube Machine

ST3000 on F-1325 Storage Bin
Ice Bin & Accessories
Sold Separately

ICE MACHINE + DEFLECTOR + ADAPTER + ICE BIN = PACKAGE



Installation Note
Recommended installation clearance— Top/sides 8" (20.3 cm), back: 24" (61 cm), although 24" (61 cm) is recommended on all sides. Bin drain— located in exact center of bin.



Space-Saving Designs



	ST3000 F-1300	ST3000 F-1325**
Height	99.50" / 252.73 cm	90.50" / 229.87 cm
Width	48.00" / 121.92 cm	60.00" / 152.40 cm
Depth*	31.00" / 78.74 cm	31.00" / 78.74 cm
Bin Storage	1,194 lbs. / 542 kgs.	1,238 lbs. / 562 kgs.

Height includes adjustable bin legs 6.00" to 7.50" (15.24 to 20.32 cm) set at 6.00" (15.24 cm).

Bin capacity is based on 90% of the volume x 33 lbs/ft³ average density of ice.

*Depth at bin base, 39" including bin door.

**Requires K-604800 bin adapter.

Accessories

K-00391 Ice Deflectors (Set of 2)

K-00395 Bin Thermostat

NOTE: ST3000 not for use on D-970 Bin.

K-604800 Bin Adapter for F-1325 / F-1650 Bins

K-614800 Bin Adapter for FC-1350 Bin & Cart System

Model	Ice Shape	Ice Production 24 Hours		Power kWh/100 lbs @ 90°Air/70°F	Water Usage/100 lbs. 45.4 kgs. of Ice	
		70°Air/50°F Water	90°Air/70°F Water		Potable Water Usage	Water-Cooled Condenser
SDT3000W*	dice	3000 lbs. / 1361 kgs	2558 lbs / 1160 kgs	3.69	21 gal / 79 L	140 gal / 530 L
SYT3000W*	half-dice	3200 lbs / 1451 kgs	2584 lbs / 1172 kgs	3.72	21 gal / 78 L	140 gal / 530 L.

Condenser Water Temperature	50°F / 10°C	70°F / 21°C	90°F / 32°C
Water Temp. Out F°	100° to 110°		
Water Temp. Out C°	37.8° to 43.3°		

Welbilt reserves the right to make changes to the design or specifications without prior notice.