

Project _____
 Item _____
 Quantity _____
 CSI Section 11400
 Approved _____
 Date _____

RFF-2500 Flake Ice Machine

Models

RFF-2500A



RFF-2500A Flake Ice Machine
on F-1650 Bin

Standard Features

- Up to 2,460 lbs. (1,116 kgs) daily flake ice production.
- Flake Ice is perfect for food display, salad bars, and cold therapy/healthcare.
- Ice forms around object without bruising and holds objects in place without tipping/spilling.
- High load maintenance free bearings for enhanced reliability.
- Heavy duty stainless steel cabinet resists corrosion.



Specifications

Condenser Heat of Rejection (BTU per hour):
29,500 (average)

Compressor:
Nominal rating: 3 HP

Refrigerant:
R-404A

- Operating Limits:**
- Ambient Temperature Range: 50°-110°F (10°-43°C)
 - Water Temperature Range: 37°-90°F (3°-32°C)
 - Water Pressure Ice Maker Water In: Min. 14 psi (96.5 kPa) Max. 80 psi (551.6 kPa)

Ice Machine Electric

208-230/60/3 phase (400-415/50/3 also available)

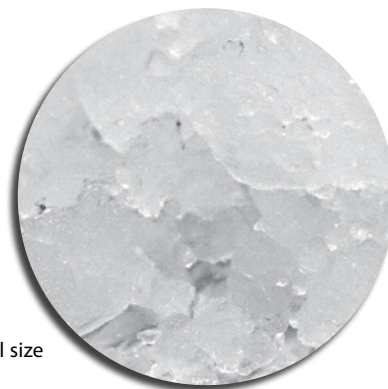
Maximum circuit ampacity: 15 amps.

Maximum fuse size: 20 amps.

HACR-type circuit breakers can be used in place of fuses.

Ice Shape

Combination of small and large bits of ice for presentation and cooling applications.



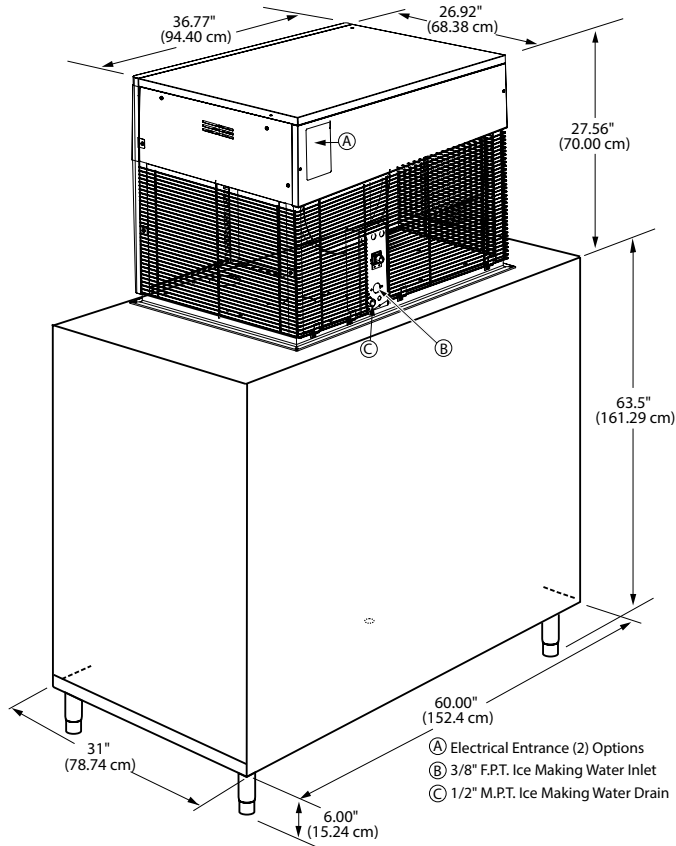
Ice shown actual size





RFF-2500 Flake Ice Machine

RFF-2500 on F-1650 Storage Bin



Installation Note - Minimum installation clearance:
 Top/sides: 8" (20.32 cm), back: 5" (12.70 cm).

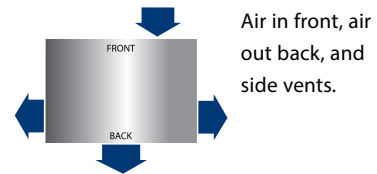
Space-Saving Designs



	RFF-2500 F-1300	RFF-2500 F-1650
Height	91.06" 231.3 cm	91.06" 231.3 cm
Width	48.00" 121.92 cm	60.00" 152.40 cm
Depth	31.00" 78.74 cm	31.00" 78.74 cm
Bin Storage	1320 lbs. 599 kgs	1660 lbs. 753 kgs

Height includes bin legs 6.00" (15.24 cm)

Air Flow Overhead View



	Model	Ice Shape	Ice Production 24 Hours		Power kWh/100 lbs @ 90°Air/70°F Water 32°Air/21°C Water	Condenser Water Usage (100 lbs./45.4 kgs of Ice)
			70°Air/50°F Water 21°Air/10°C Water	90°Air/70°F Water 32°Air/21°C Water		
Air-cooled	RFF-2500A	Flake	2,460 lbs.	1,819 lbs.	4.1	N/A
			1,116 kgs	825 kgs		N/A

Welbilt reserves the right to make changes to the design or specifications without prior notice.